

SN-IPV56/60HDR

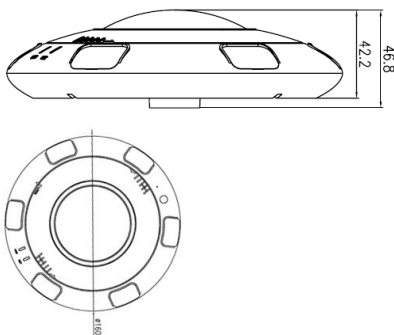
6MP Fisheye Camera



Key features

- 1/1.8" Progressive Scan CMOS
- 6MP Resolution
- Unique De-warping Image
- Low bitrate ,Excellent low light performance
- 3D DNR,dWDR,ICR,HLC
- Smart IR Range 10m

Dimension



Accessories



SN-CBK636



SN-CBK637



SN-CBK633



SN-CBK627



SN-CBK626



SN-CBK629

Specifications

CAMERA	
Image Sensor	1/1.8" Progressive Scan CMOS
Min. illumination	Color 0.01Lux(AGC ON);IR ON 0 Lux
Day & Night	ICR
Shutter Speed	1/5-1/50000
Auto Iris	N/A
Wide Dynamic Range	dWDR
Digital Noise Reduction	2D/3D
Lens	1.6mm
FOV	360 degrees
IR LED	6pcs
IR Range	10m
IMAGE	
Video Compression	H.264 High/Main/Baseline Profile, MJPEG
Bit Rate (CBR/VBR)	500kb-12000kb
Audio Compression	G.711 ,RAW_PCM
Max.Resolution	3072*2048@15fps
Stream	Stream1 3072*2048@15fps , 1920*1920/1440*1440/1920*1080@20fps Stream 2 1280*1280/720*720/D1@15fps/25fps/30fps
Image Setting	Rotate Mode,Saturation,Brightness,Contrast,Sharpness
De-warping	1F+3/5/7,180 degrees panorama
HLC	Yes
9:16 Corridor Mode	N/A
DIS	N/A
ROI	N/A
Defog	N/A
NETWORK	
Network Protocols:	HTTP,HTTPS, TCP/IP, UDP/IP, RTSP, DHCP, NTP, PPPoE, Unicast and Multicast supported.
Alarm Trigger	Motion detection,Network disconnect,Disk alarm,I/O alarm
RTSP Video	Standard RFC2326, Support QuickTime / VLC Player.
Security	User security authentication, Reset, Hardware WatchDog
Web Language	English, Chinese, Polish, Italian, Portuguese, Spanish.(Sunell Brand)
System Compatibility	Onvif
INTERFACE	
Ethernet	1 Ethernet (10/100 Base-T) RJ-45 Connector
Microphone	Yes (Built-in)
Audio I/O	1ch Audio In,1ch Audio Out
Alarm I/O	1ch Alarm In,1ch Alarm Out
RS485	N/A
BNC Output	N/A
Reset Button	Yes
Edge Storage	Micro SD/SDHC/SDXC slot ,Max 64GB
GENERAL	
Power Supply	AC24V/DC12V/POE
Power Consumption	5W IR LED OFF;8W IR LED ON
OperatingTemperature	-30℃ ~+60℃
Operating Humidity	0% - 90% RH
Ingress Protection	IP66
Approvals	CE / FCC
Product Dimensions	φ 160*46.8
Product Weight	700g