

SN-IPS56/30BDR/ZSD30

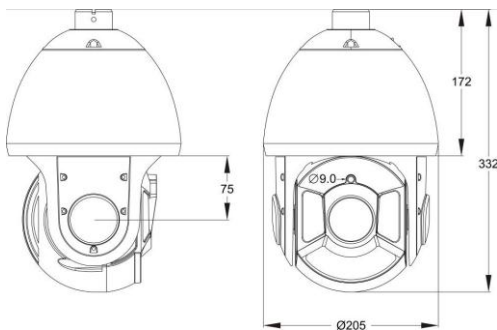
3.0MP Network IR High Speed Dome



Key features

- 1/2.8" Progressive Scan CMOS
- 30X Optical Zoom, 16X Digital Zoom
- 2048(H) × 1536(V)/30fps
- Multiple Streams
- Smart IR Range 120m
- Low bitrate ,Good low light performance
- 3D DNR,dWDR,ICR

Dimension



Accessories



Specifications

CAMERA	
Image Sensor	1/2.8" Progressive Scan CMOS
Min. illumination	Color 0.01Lux; B&W 0.001Lux; IR ON 0 Lux
Day & Night	ICR
Shutter Speed	1/10000-1/1s
Auto Iris	Auto/Manual
Wide Dynamic Range	dWDR
Digital Noise Reduction	2D/3D
Lens	Sunell30X Module , 4.3-129mm
Digital Zoom	16X
FOV	70.5° -3.2°
IR LED	8 pcs
IR Range	120m
Pan/Tilt	Pan 0-360° ,Tilt-5-90°
Pan/Tilt Speed	Pan: 0.01-180° /s ,Tilt:0.01-90° /s , Preset Speed Pan:180° /s ,Tilt:90° /s
3D Position	YES
Coordinate Display	YES
Preset/Tour/Scan/Track	400/12/12/6
IMAGE	
Video Compression	H.264 High/Main/Baseline Profile, MJPEG
Bit Rate (CBR/VBR)	Main stream: 500kbps ~ 12Mbps; Sub stream: 200kbps ~ 8Mbps
Audio Compression	G.711 ,RAW_PCM
Max.Resolution	2048x1536/30fps
Stream	Stream1 2048x1536 Stream 2 1080P/720P/D1/CIF/QCIF/VGA/QVGA/640x360
Image Setting	Rotate Mode,Saturation,Brightness,Contrast,Sharpness
HLC	Yes
ROI	Yes
Defog	Yes
NETWORK	
Network Protocols:	IPv4/IPv6,RTSP/RTP/RTCP,TCP/UDP, HTTPS, DHCP, DNS ,DDNS, PPPoE, SMTP
Alarm Trigger	Motion,Intrusion,LineCrossing,Tamper,Networkdisconnect,Diskalarm,I/O alarm
RTSP Video	Standard RFC2326, Support QuickTime / VLC Player.
Security	User security authentication, Reset, Hardware WatchDog
Web Language	English, Chinese,Polish,Italian,Portuguese,Spanish (Sunell Brand)
System Compatibility	Onvif,CGI
INTERFACE	
Ethernet	1 Ethernet (10/100 Base-T) RJ-45 Connector
Audio I/O	1ch Audio In,1ch Audio Out
Alarm I/O	7ch Alarm In,2ch Alarm Out
RS485	YES
BNC Output	YES
Reset Button	YES(Built-In)
Edge Storage	Micro SD/SDHC/SDXC slot(Built-in),Max 64GB
GENERAL	
Power Supply	AC24V/2.5A
Power Consumption	MAX 40W
OperatingTemperature	Starting Temperature: -30 °C ~ 60 °C (-22 °F ~ 140 °F) Working Temperature: -40 °C ~ 60 °C (-40 °F ~ 140 °F)
Operating Humidity	0% - 90% RH
Protection	IP66,TVS6000V
Approvals	CE / FCC
Product Dimensions	Ø205x332mm
Product Weight	1.2kg